

SIBLEY LABORATORIES

ERGONOMICS • SAFETY • RECYCLE

US Patent No. 6,820,843

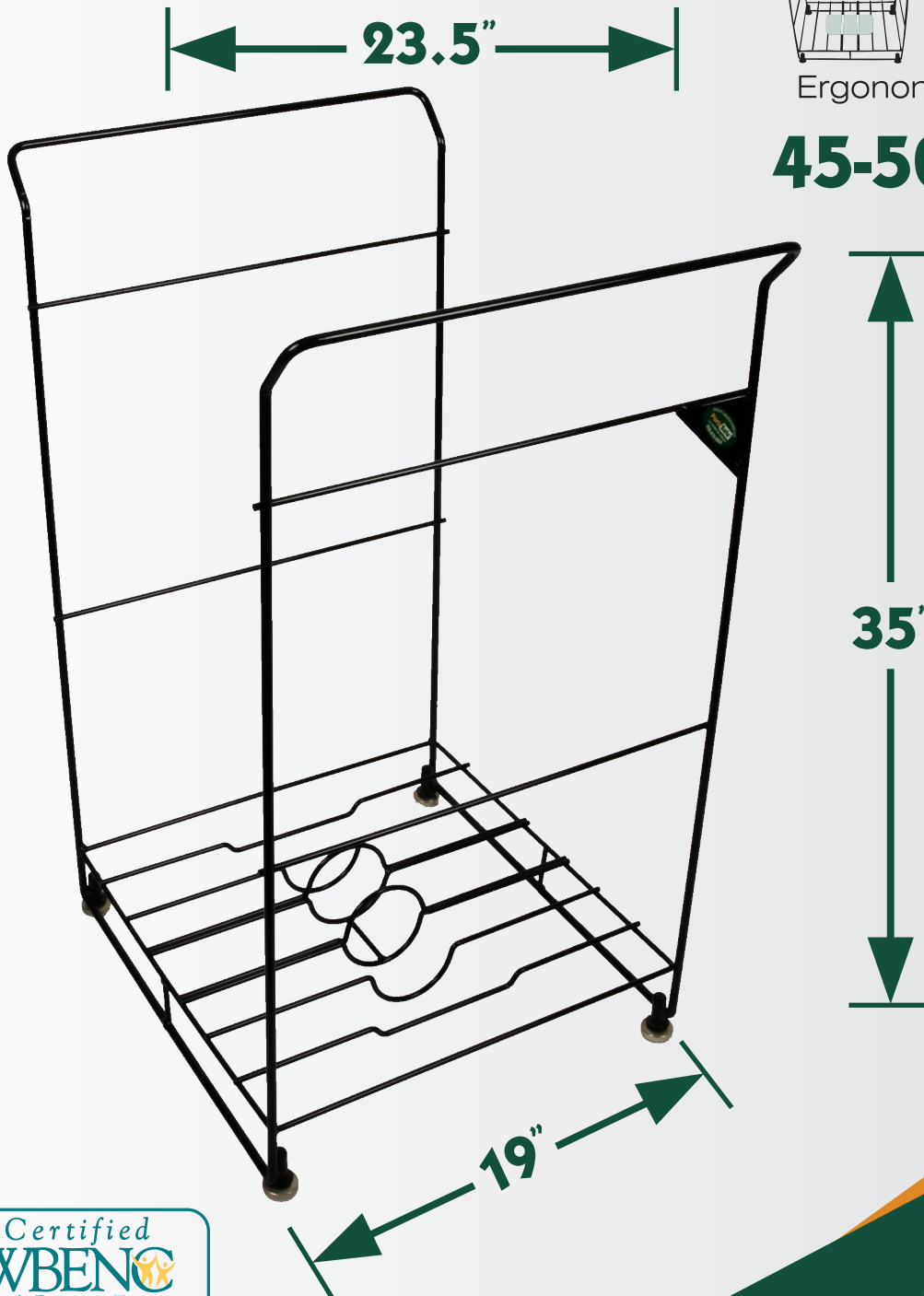
Canada Patent No. 2,482,663



Ergonomic Collection System

45-50 GALLON

Part # SL451RLSG



866.876.0806
www.sibleylabs.com